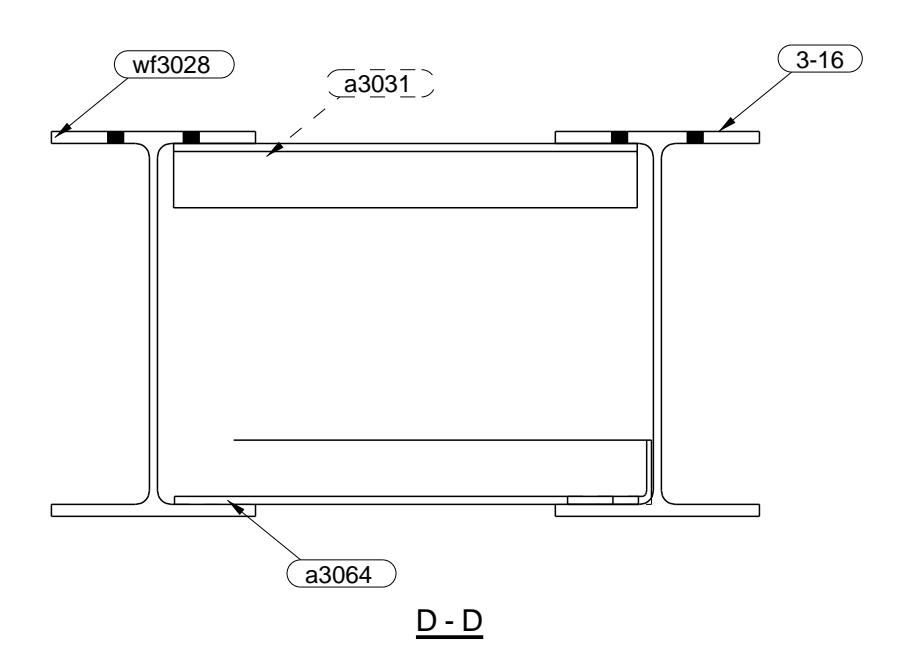
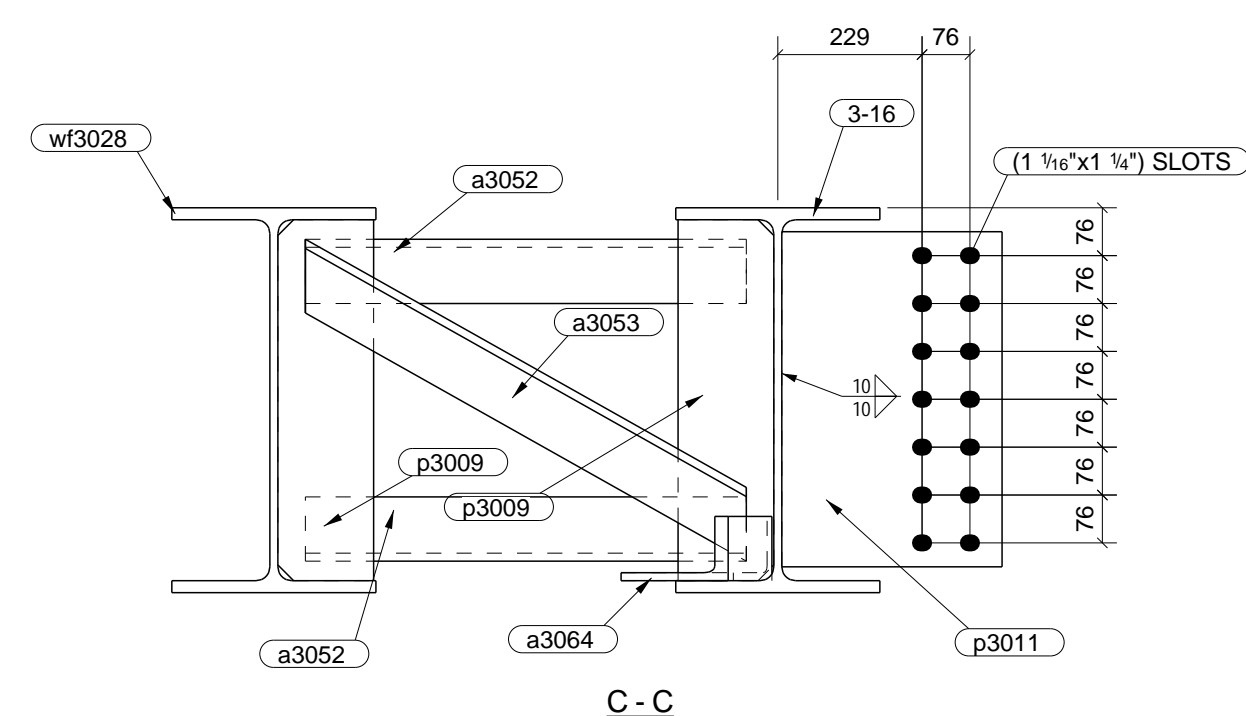
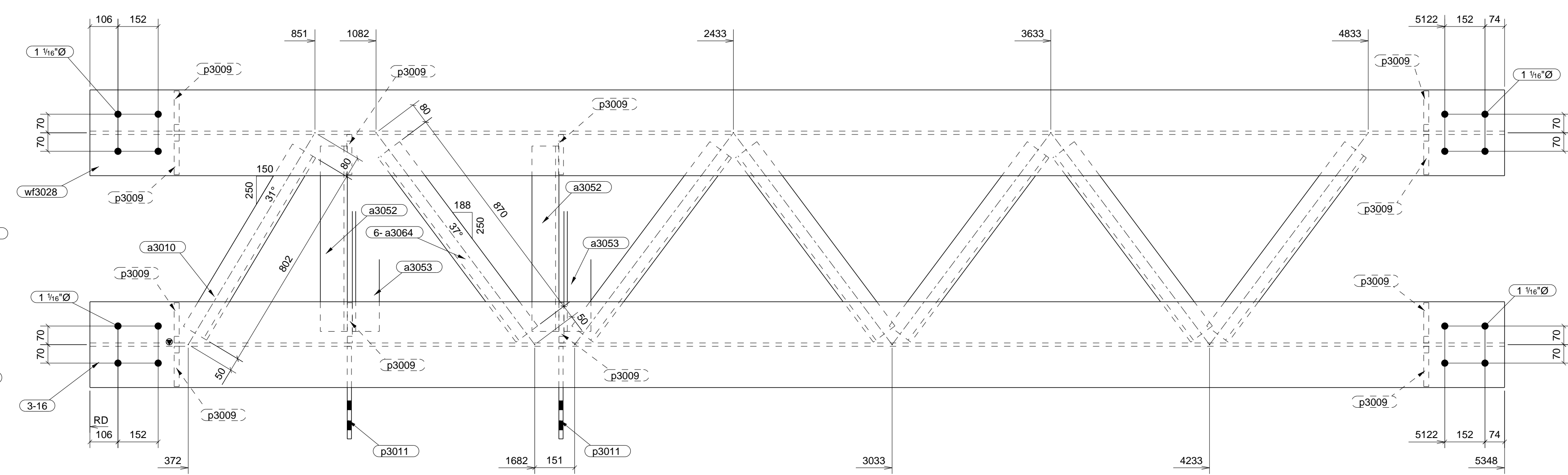
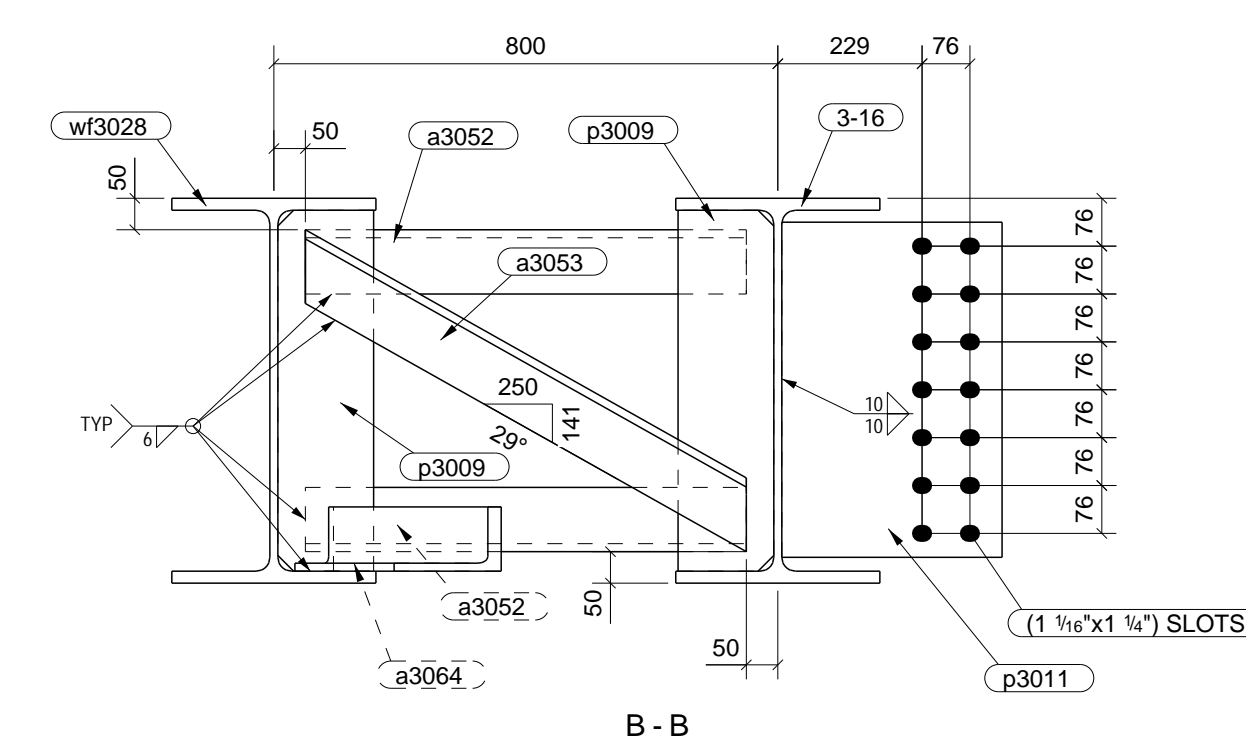
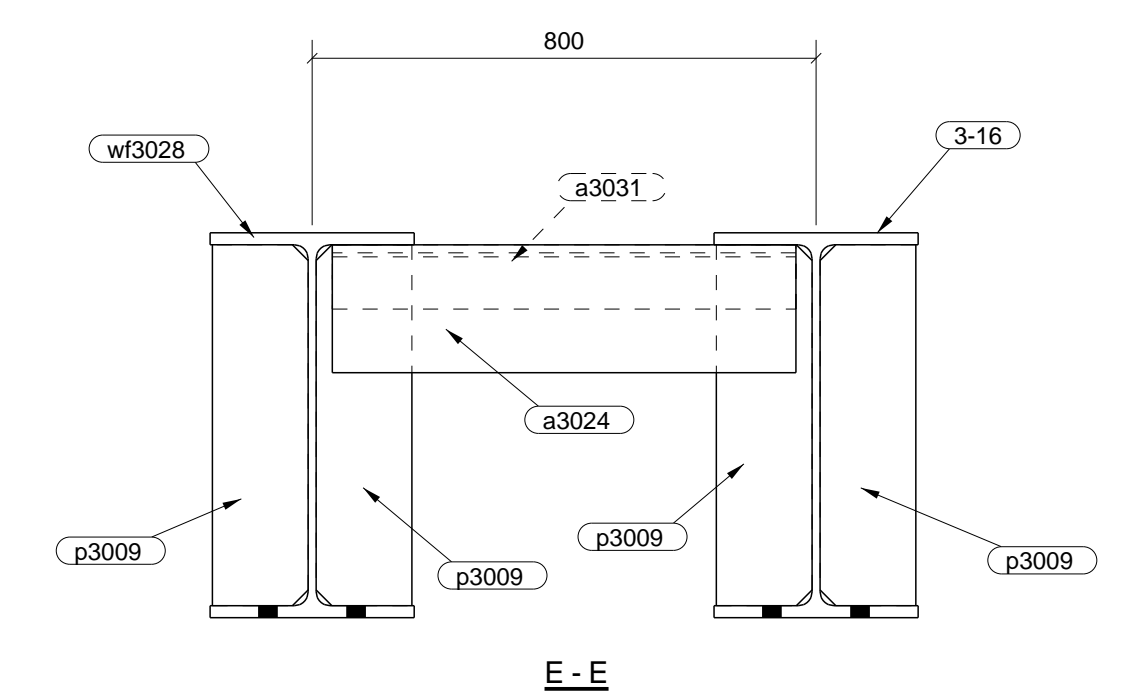
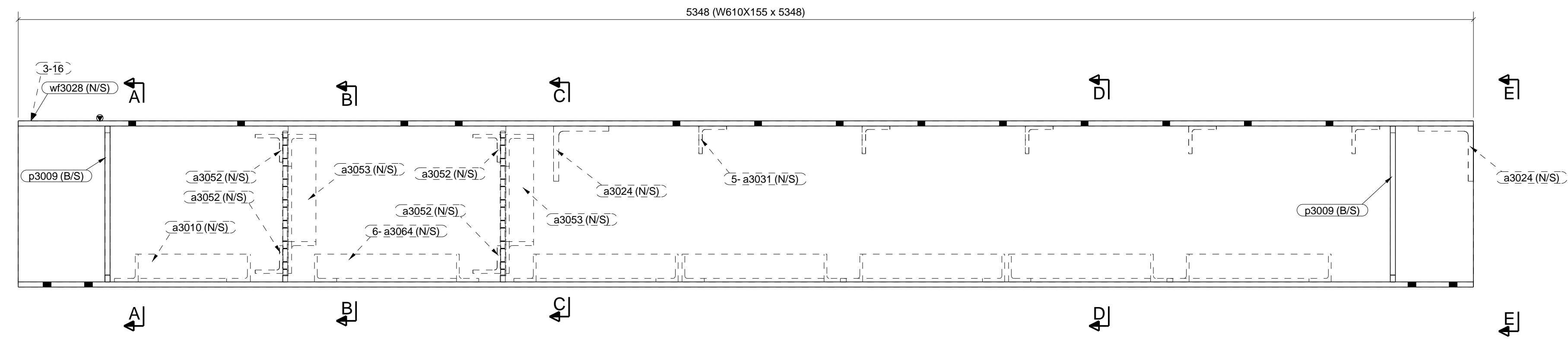
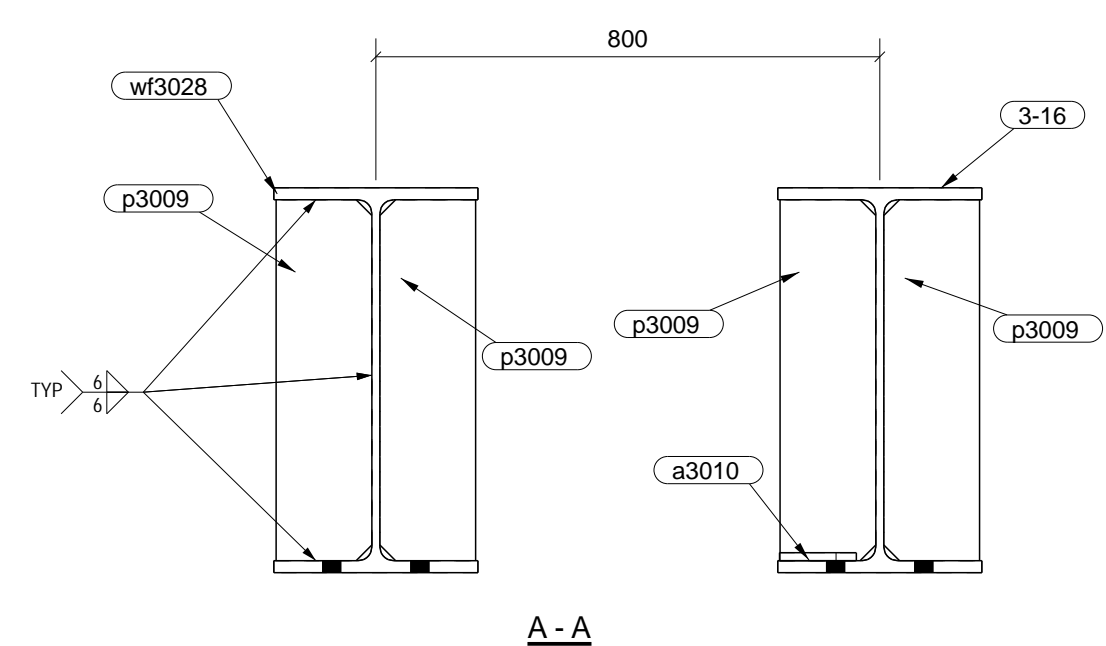
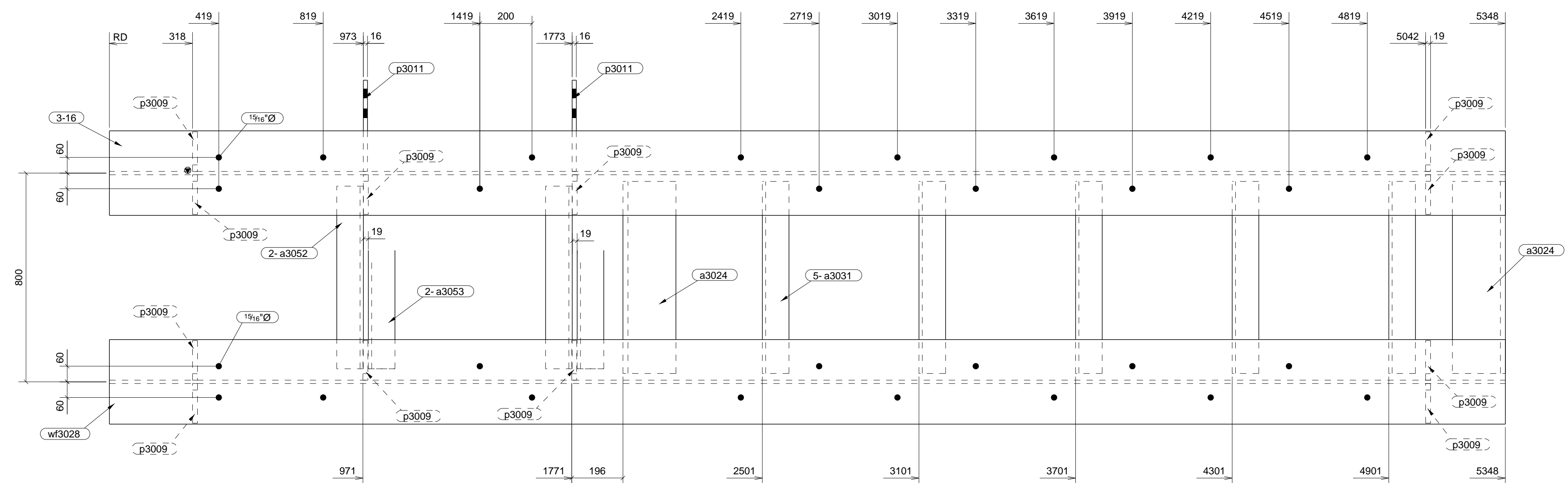


QTY.	SITE BOLTS	LENGTH
28	3/4" HILTI KB-TZ BOLT	10"



ONE - BEAM - 3-16

Qty Ea.	Qty Tot.	Piece Mark.	Description	Length	Weight Total	Remarks	Steel Grade
1	1	3-16	BEAM		2216	Total WT.	
1	1		W610X155	5348	829	SQ2	350W
1	1	a3010	L102X102X13	802	15		300W
2	2	a3024	L203X203X19	736	85		300W
5	5	a3031	L102X102X13	736	70		300W
4	4	a3052	L102X102X13	700	53		300W
2	2	a3053	L102X102X13	861	33		300W
6	6	a3064	L102X102X13	870	100		300W
12	12	p3009	FL19X152	573	155		300W
2	2	p3011	PL16X350	532	47		300W
1	1	wf3028	W610X155	5348	829		350W

10/06/2017	0	For Fabrication	AB
08/29/2017	A	For Approval	AB
DATE	NO.	DESCRIPTION	BY

CERTA INDUSTRIES LTD
1308 8 Street, NISKU, AB, T9E 7M1
Tel: (780) 952-8883 Email: estimating@certaindustries.com

PROJECT NAME	WEST BLOCK - PHASE 1
LOCATION	14111 103 AVE., EDMONTON, AB
CONTRACTOR	PAGNOTTA INDUSTRIES
DESCRIPTION	BEAM

DATE	08/28/2017	JOB No.	17025
DRAWN BY	AB	DRG No.	3-16
REV.			0

SHOP NOTES: HOLES 13/16" UN
ALL RE-ENTRANT CUTS 14mm RAD(MIN)
PAINT: NO PAINT

BES STRUCTURAL 17-009
DETAILING LTD.
BesDetailing@shaw.ca, (807) 285-3950