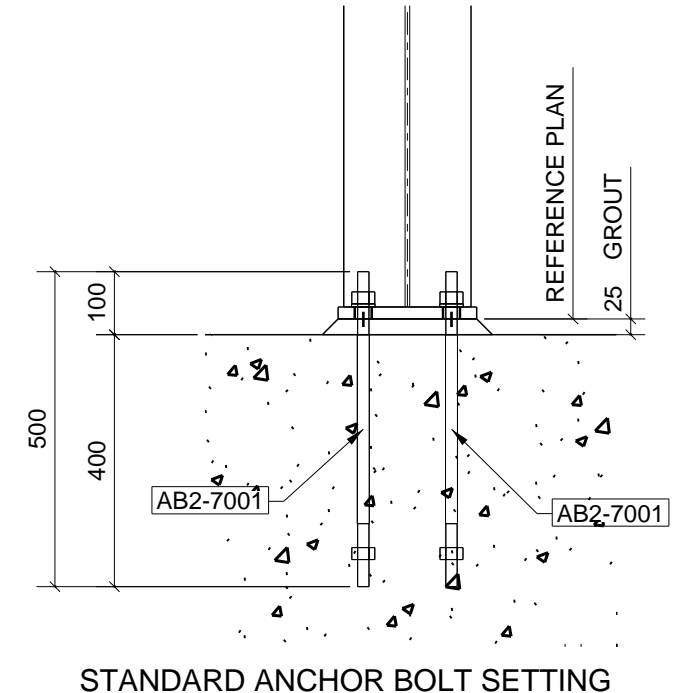


ANCHOR BOLT PLAN



STANDARD ANCHOR BOLT SETTING

|  |  |  |  |                                    |
|--|--|--|--|------------------------------------|
| REFERENCE DRAWINGS<br>S251 Rev.1<br>S260 Rev.1<br>S261 Rev.1 |  | PROJECT NAME<br>GRASSLAND CVIS - CVSA BUILDING                             |  |                                    |
| DATE<br>01/22/2016<br>01/08/2016<br>01/07/2016               |  | LOCATION<br>RD.680 & HWY. 63, GRASSLAND, AB                                |  |                                    |
| NO.<br>1<br>0<br>A   |  | DESCRIPTION<br>Revised for Column Marks<br>For Field Use<br>For Approval   |  | ARCHITECT<br>N53 ARCHITECTURE INC. |
| BY<br>AB<br>AB<br>AB   |  | BES<br>STRUCTURAL<br>DETAILING LTD.<br>BesDetailing@shaw.ca (907) 295-3550 |  |                                    |

Office 780.962.9040 #50, 53016 Hwy 60  
 Fax 780.962.9045 Ellis Industrial Park  
 info@ledersteel.com Achuson, AB T7X 5A7